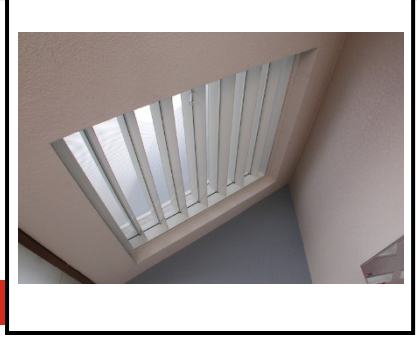


TECHNICAL INFORMATION SHEET

Light Control Louvers



Item Description

Electrically Operated Light Control Louvers.

Product Information

Description:

Electrically Operated Light Control Louvers.

Louvers are factory assembled, ready for installation.

Louver frame and blades are fabricated from 6063-T6 aluminum, finish to be baked on enamel, white in color.

Louver frames are mechanically joined at the corners. Blades are 6" on center, rotating on a 5/8" rigid PVC bearing. Aluminum end plates are fastened to the ends of each blade and act as thrust caps against the PVC bearing. End plates are attached to an aluminum bar on 1 side for gang operation.

Standard Louvers shall be electrically operated using a standard synchronous 115VAC motor unit. The 60hz, 7 Watt motor shall be integrated to the louver assembly and shall be equipped with limit switches at full open and closed positions drawing 6 amps.

A cycle test was performed on the Light Control Louver and successfully taken to over 2,000,000 cycles.

Method of Application:

1. Install in accordance with current Firestone specification, details, and workmanship requirements.
2. Substrates must be clean, dry, smooth, and free of sharp edges, fins, loose or foreign materials, oil, and grease.

Storage:

- Store products in manufacturer's unopened packaging until ready for installation.
- Store materials in a dry area, protected from freezing, staining, contamination or damage.

LEED® Information:

Post Consumer Recycled Content: 86%

Post Industrial Recycled Content: 12.5%

Manufacturing Location: Sacramento, CA

*NOTE: LEED® is a registered trademark of the U.S. Green Building Council.

Please contact Quality Building Services Technical Department at 1-800-428-4511 for further information.

This sheet is meant to highlight Firestone products and specifications and is subject to change without notice. Firestone takes responsibility for furnishing quality materials which meet published Firestone product specifications or other technical documents, subject to normal roof manufacturing tolerances. Neither Firestone nor its representatives practice architecture. Firestone offers no opinion on and expressly disclaims any responsibility for the soundness of any structure. Firestone accepts no liability for structural failure or resultant damages. Consult a competent structural engineer prior to installation if the structural soundness or structural ability to properly support a planned installation is in question. No Firestone representative is authorized to vary this disclaimer.

TECHNICAL INFORMATION SHEET

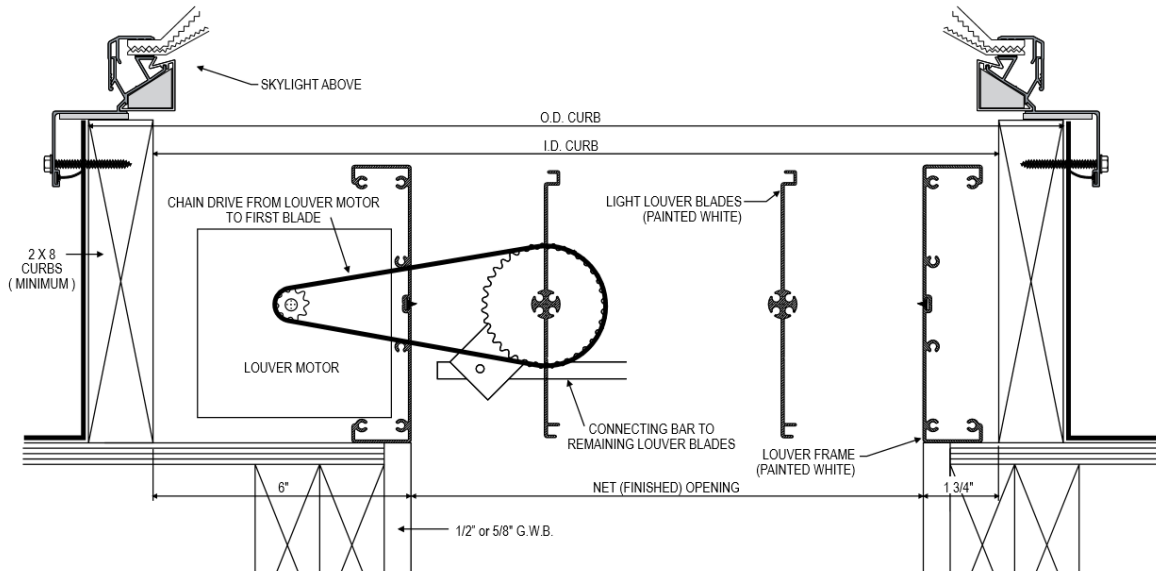
Light Control Louvers

Options:

External Motored Louver

- Used in new construction applications

Details Not To Scale



Internal Motored Louver

- Used in Retrofit applications

Details Not To Scale

