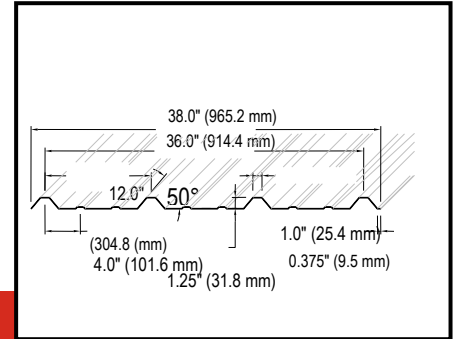


TECHNICAL INFORMATION SHEET

UNA-CLAD™ HR-Ultra Omega



Item Description

Corrugated Panel for Commercial-Industrial Metal Roofing and Wall Cladding

Product Information

Description

Firestone UNA-CLAD HR-Ultra Omega Roofing Panel is a factory formed corrugated commercial-industrial metal roof and wall panel that provides a traditional metal panel appearance. The HR-Ultra Omega roofing panel is mechanically fastened with exposed fasteners and can be installed in a non-sequential pattern. The panel is available in a wide variety of materials and finishes including Kynar 500®/Hylar 5000™ pre-finished G-90 Galvanized Steel and Aluminum, Anodized and Mill Finish Aluminum, and Acrylume.

Method of Application

1. Firestone HR-Ultra Omega panels may be installed in a non-sequential pattern over a solid substrate or open framing.
2. Application of a Firestone approved underlayment prior to panel installation over a solid substrate is recommended.

NOTE: Install assembly according to Firestone Metal Design and Application Guides found on the Firestone website. Follow approved installation details.

Storage

- Firestone metal panels should be stored in a well ventilated, dry place where no moisture can contact them. Moisture (from rain, snow, condensation, etc.) trapped between layers of material may cause water stains or white rust, which can affect the service life of the material and will detract from its appearance.
- If outdoor storage cannot be avoided, protect the panels with a ventilated canvas or waterproof paper cover. Do not use plastic, which can cause condensation. Keep the material off the ground in an inclined position with an insulator such as wood. Protective film may degrade or become brittle with long term exposure to direct sunlight.

Precautions

- Oil canning is not a cause for rejection. Heavier gauges, narrower widths, striations, and embossing minimize oil canning.
- Sealant for end laps and lap joints shall be non-drying, non-toxic, and non-shrinking with a serviceable temperature of -60 to 212 °F (-51 to 100 °C).
- Quality, long-life butyl sealants work best as a gasket sandwiched between two pieces of metal. Non-acetic cured silicone color matching sealants are recommended when voids must be filled. Sealants are not a substitute for proper assembly and workmanship. Inside and outside foam closures are recommended at panel ends.
- Exercise caution when lifting, moving, transporting, storing or handling Firestone metal to avoid possible physical damage
- Refer to Safety Data Sheets (SDS) for safety information.
- Immediately remove protective film after installation.

Manufacturing Location

Anoka, MN



TECHNICAL INFORMATION SHEET

UNA-CLAD™ HR-Ultra Omega

Product Data

Panel Type	Commercial-Industrial
Joint Designs	Over Lapping
Tapered Panels	No
Radiused	No
Standard Panel Surface	Smooth
Optional Panel Surface	Stucco Embossed
Substrate	Solid Substrate or Open Framing

Product Size

Panel Width	38" (965.2 mm) 36" (914.4 mm) Net Coverage
Minimum Panel Length	60" (1524 mm)
Maximum Panel Length	480" (12.19 m)

†Net coverage is reduced when fabricated from zinc.

Technical Information

Fire Rating	UL Class A Rated Assemblies UL 263, UL 790
Hail Rating	Class 4, UL 2218

NOTE: Testing is not applicable for all combinations of substrates, materials, and dimensions. All construction assemblies must be installed in accordance with the tested assembly. Please refer to the Metal Code Approval Guide on the Firestone website for tested assemblies and code listings.

Please contact your Building Systems Advisor for warranty requirements and additional information.

Typical Properties

Material and Thickness	Metal Specification	Available Finishes
Aluminum	Base Metal: Aluminum Minimum Yield: 21 KSI (145 MPa) Thermal Expansion: 12.6 x 10 ⁻⁶ in/in/ °F (22.2 m/m.K x 10 ⁻⁶) Mod. Of Elasticity: 10.0 x 10 ³ x KSI (68.9 MPa)	Anodized Kynar 500®/Hylar 5000® Unpainted/ Mill Finish
0.032" (0.81 mm) 0.040" (1.02 mm)		
Galvanized Steel	Base Metal: AISI-G90 Galvanized steel Minimum Yield: 33 to 45 KSI (227 to 310 MPa) Thermal Expansion: 06.7 x 10 ⁻⁶ in/in/ °F (13.9 m/m.K x 10 ⁻⁶) Mod. Of Elasticity: 29.0 x 10 ⁶ x KSI (200 GPa)	Kynar 500®/Hylar 5000® Unpainted G90
24 ga. (0.64 mm) 22 ga. (0.80 mm)		
Galvalume® Steel	Base Metal: AZ-55 Hot Dipped Galvalume Minimum Yield: 50 KSI (345 MPa) Thermal Expansion: 06.7 x 10 ⁻⁶ in/in/ °F (13.9 m/m.K x 10 ⁻⁶) Mod. Of Elasticity: 29.0 x 10 ⁶ x KSI (200 GPa)	Acrylume® – Clear Acrylic Coated
24 ga. (0.64 mm) 22 ga. (0.80 mm)		

NOTE: For standard color selection, consult the current UNA-CLAD Color Selection Guide. Custom color services are available upon request. Consult the current base metal Sheet & Coil TIS for additional information on the base metal and coating. Not all materials and thicknesses are available from all locations.

Please contact Quality Building Services Technical Department at 1-800-428-4511 for further information.

This sheet is meant to highlight Firestone products and specifications and is subject to change without notice. Firestone takes responsibility for furnishing quality materials which meet published Firestone product specifications. Neither Firestone nor its representatives practice architecture. Firestone offers no opinion on and expressly disclaims any responsibility for the soundness of any structure. Firestone accepts no liability for structural failure or resultant damages. Consult a competent structural engineer prior to installation if the structural soundness or structural ability to properly support a planned installation is in question. No Firestone representative is authorized to vary this disclaimer.