

# TECHNICAL INFORMATION SHEET

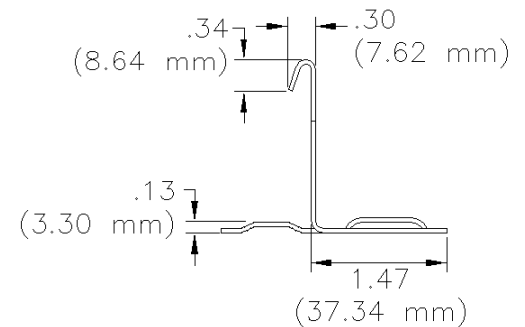
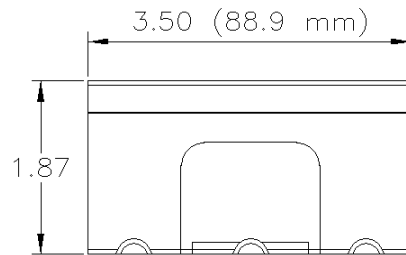
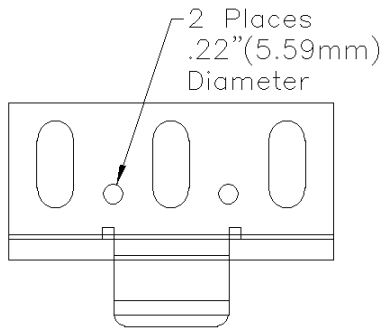
## UC-14 Clip

### Item Description

Galvanized Steel  
Stainless Steel

### Item Number

W6810C1417G  
W6810C1417S



## Product Information

### Description

Firestone UNA-CLAD UC-14 Clips are specially designed to be used in the attachment of the Firestone UNA-CLAD UC-14 Standing Seam Roof Panel. The design of the clip allows unlimited thermal movement of the panel.

### Method of Application

1. Position the clips flush against the vertical seam.
2. Ensure clip is parallel with vertical seam.
3. Attach clips to roof deck using the appropriate Firestone fastener.
4. Position adjacent panel flush against installed clip.

**NOTE:** Install assembly according to Firestone Metal Design and Application Guides found on the Firestone website. Follow approved installation details

### Storage

Store in unopened original containers protected from the weather.

### Precautions

- Do not over drive or under drive fastener.
- Clips are designed to anchor UC-14 standing seam roof panels only.
- Can not be used with fasteners larger than No. 12.
- Eye protection must be worn during the installation of fasteners.

### Manufacturing Location

Anoka, MN



# TECHNICAL INFORMATION SHEET

## UC-14 Clip

### Packaging

250 Clips per carton

### Typical Properties

<u>Property</u>	<u>Detail</u>
Material	G-90 Galvanized Steel or 300 Series Stainless Steel
Material Thickness	18 ga; 0.050" (1.27 mm)
Base	3.75" (95.25 mm) x 1.15" (29.21 mm)
Tab	3.50" (88.90 mm) x 1.875" (47.63 mm)
Hole Diameter	0.22" (5.59 mm)

Please contact Technical Services at 1-800-428-4511 for further information.

*This sheet is meant to highlight Firestone products and specifications and is subject to change without notice. Firestone takes responsibility for furnishing quality materials which meet published Firestone product specifications. Neither Firestone nor its representatives practice architecture. Firestone offers no opinion on and expressly disclaims any responsibility for the soundness of any structure. Firestone accepts no liability for structural failure or resultant damages. Consult a competent structural engineer prior to installation if the structural soundness or structural ability to properly support a planned installation is in question. No Firestone representative is authorized to vary this disclaimer.*